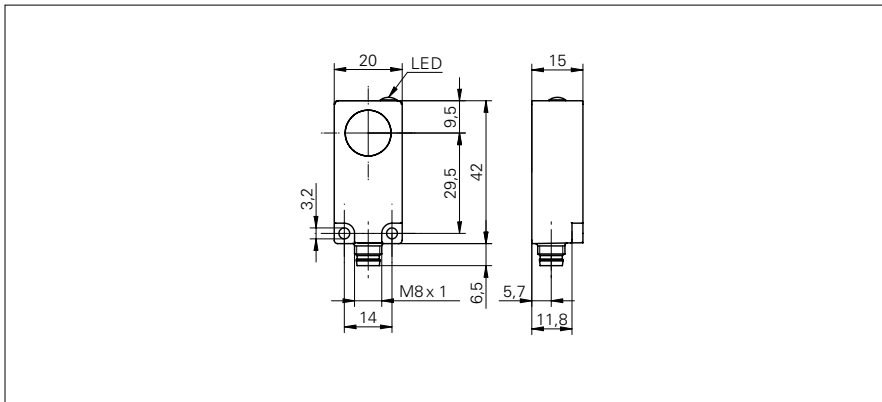


Ultrasonic through beam sensors

USDK 20D9003/S35A

dimension drawing



general data

emitter / receiver	emitter
scanning range sd	0 ... 1000 mm
scanning range far limit Sde	0 ... 1000 mm
sonic frequency	250 kHz
alignment aid	target indication flashing
power on indication	LED yellow

electrical data

voltage supply range +Vs	15 ... 30 VDC
current consumption max. (no load)	40 mA
residual ripple	< 10 % Vs
short circuit protection	yes
reverse polarity protection	yes

mechanical data

type	rectangular
housing material	polyester
width / diameter	20 mm
height / length	42 mm
depth	15 mm
connection types	connector M8

ambient conditions

operating temperature	0 ... +60 °C
protection class	IP 67

photo



connection diagram

